

Electrostatic charges occurring during production processes often cause severe disruptions, reducing production speed and product quality.

The R36 ion blower nozzle and the ion blower pistol PR36 have an outstanding range effect.

The ion blower nozzle is used in fixed installations; the ion blower pistol is designed for manual use.

Charged surfaces which attract dirt particles can be effectively discharged with the help of the ion blower nozzle resp. the ion blower pistol, keeping the surfaces free of dust before converting and finishing.

The compact design of the new ion blower nozzle and its high efficiency allow a wide variety of applications.

The benefits:

- high degree of discharging efficiency
- compact design
- adapter design
- small dimensions
- easy installation
- flow-optimized air nozzle

Technical Information



Ion Blower Nozzle R36 Ion Blower Pistol PR36

TI-e-2043-0611



electrostatic
innovations

Technical specifications

Electrode element	plastic
Emission tip	tungsten, current-limited and low capacitance
Operating voltage	5 resp. 6 kV, 50/60 Hz
Short-circuit current emission tips/ground	0.05 mA
High voltage supply	via Eltex power supplies, operating voltage max. 6 kV AC
Operating ambient temperature	0...+80°C (+32...+176°F) with blown air; blown air temperature max. 30°C 0...+60°C (+32...+140°F) without blown air
Ambient humidity	max. 70%, no dewing permitted
Contact protection	contact protected according to EN 61140:2003, paragraph 5.1.6
Assembly	with attachment lug of the electrode element
High voltage connection	connection to screened Eltex high voltage cables, with protective hose: plug type w, without protective hose: plug type y
Air connection	NW 8 mm hose
Dimensions	see figures
Weight	R36/_F: approx. 50 g, PR36/NF: approx. 150 g, without hv cable
Air pressure	max. 6 bar for R36/_W and PR36/_W max. 1 bar
Air consumption [m³/h]	Typical values
Air pressure [bar]	0,5 1,0 1,5 2,0 2,5 3,0 3,5 4,0 4,5 5,0 5,5 6,0
Air consumption R36/_F, R36/_R	3 7 9 12 15 17 20 23 26 29 32 34
Air consumption R36/_S	3 5 7 9 11 13 16 18 20 22 24 27
Air consumption R36/_W	4 8 (max. 1 bar)
Air consumption PR36	2 4 6 7 8 10 11 13 15 16 18 20

Variants

R36 ion blower nozzle:

Two electrode elements and four different nozzles are available:

- fishtail nozzle, axial design: R36/AF, radial design R36/RF
- circular jet nozzle, axial design: R36/AR, radial design: R36/RR
- needle-jet nozzle, axial design: R36/AS, radial design: R36/RS
- compact fishtail nozzle, axial design: R36/AW, radial design: R36/RW

PR36 ion blower pistol:

Two ion blower pistols and four different nozzles are available:

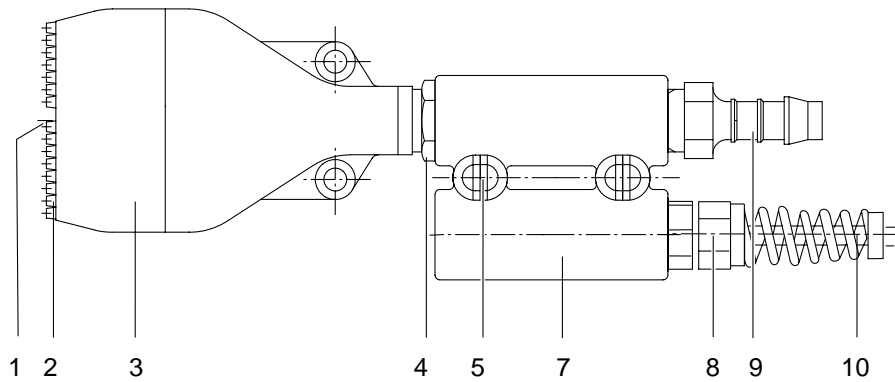
- fishtail nozzle, without filter: PR36/NF, with filter: PR36/NF
- circular jet nozzle, without filter: PR36/NR, with filter: PR36/FR
- needle-jet nozzle, without filter: PR36/NS, with filter: PR36/FS
- compact fishtail nozzle, without filter: PR36/NW, with filter: PR36/FW

The grease filter serves to eliminate grease and fat particles from the blower pistol. Cleaned apparatuses air must be used as blowing air.



electrostatic
innovations

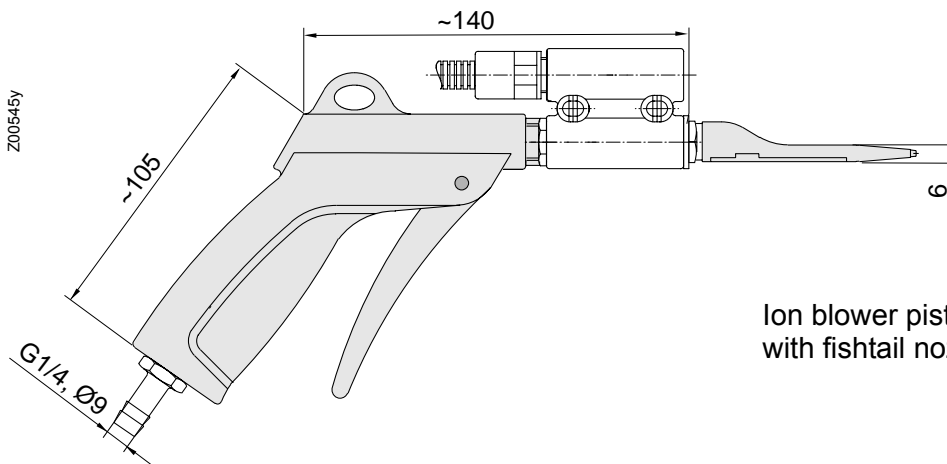
R36/AF ion blower nozzle



- 1 Emission tip
- 2 Hole-type nozzle
- 3 Blower nozzle (fishtail nozzle)
- 4 Locknut (detachable and blower nozzle rotatable by 0...360°, max. 1 turn)
- 5 Attachment lugs
- 7 Electrode element
- 8 Cable gland
- 9 Air connection for air hose NW 8
- 10 High voltage cable

Z00543y

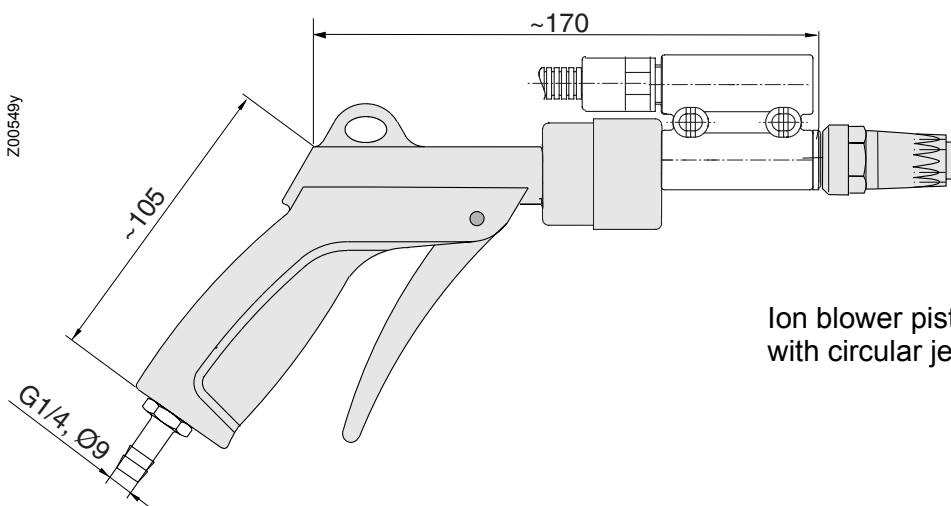
PR36/NF ion blower pistol



Ion blower pistol without filter with fishtail nozzle

Z00545y

PR36/FR ion blower pistol

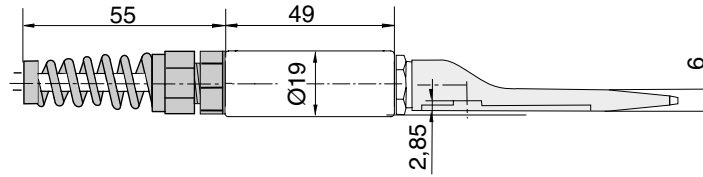


Ion blower pistol with filter with circular jet nozzle

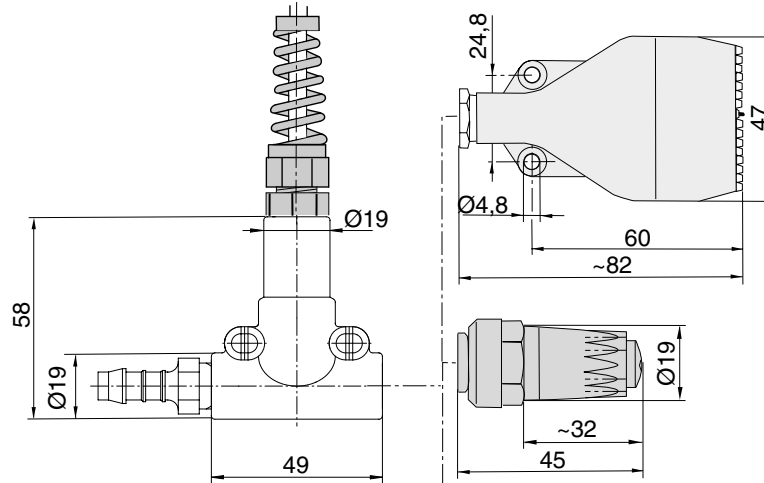
Z00548y

Dimensions

Ion blower nozzle



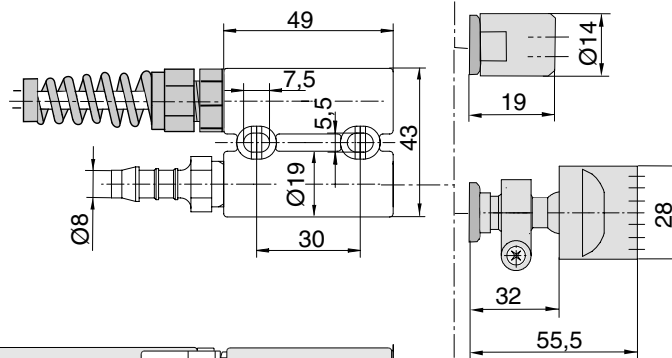
Ion blower nozzle, axial design



fishtail nozzle

circular jet nozzle

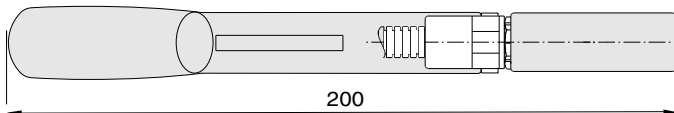
Ion blower nozzle, radial design



needle-jet nozzle

compact fishtail nozzle

Ion blower pistol



Z00443y

The figures are showing the available design. After consultations with Eltex is the integration of commercial plastic blower nozzles possible.



**electrostatic
innovations**

Eltex-Elektrostatik-Gesellschaft mbH
Blauenstraße 67-69, D-79576 Weil am Rhein
Phone +49 (0) 76 21/ 79 05 - 230
Fax +49 (0) 76 21/ 79 05 - 330
eMail static-control@eltex.com
Internet www.eltex.com