

## Pinner Superbar

### ARC RESISTANT CHARGING BAR

The Pinner Superbar delivers more voltage and current than any high voltage applicator available. The added benefit of removable and replaceable emitter pins significantly extends the life of the Superbar. This unit is built for the most demanding pinning tasks such as catalog stacking.

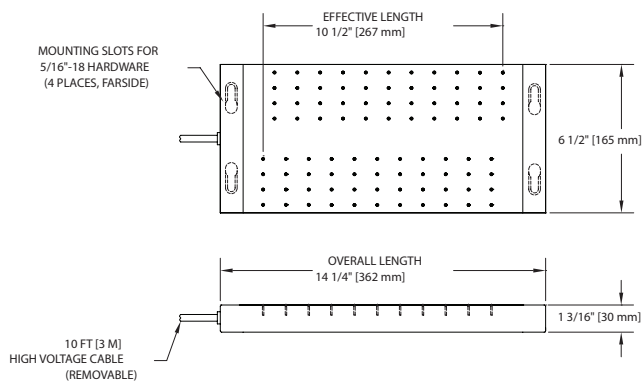
- Maximum voltage and current output
- Easy installation and adjustment
- Replaceable ionizing pins
- Detachable HV cable for easy cleaning and maintenance

## Specifications

<b>Ionizing Points</b>	Spaced 5/8" between points per row; removable and replaceable for easy maintenance
<b>Voltage</b>	±30 kV max
<b>Temperature</b>	0-170°F (-5 to 77°C); 110°F (43°C) max ambient temperature
<b>Humidity</b>	70% RH maximum, no dewing permissible
<b>High Voltage Cable</b>	50 kV rated irradiated polyethylene cable with fire retardant silicone protective tubing; 10' standard length (0.5" min bend radius)
<b>Pin Current</b>	375 µA (30 kV short-circuit); point to ground short, no damage, 3 second max (30 kV)
<b>Enclosure</b>	Glass filled polyester, rugged, impact resistant
<b>Dimensions</b>	1 1/4" H x 6 1/2" W x 14 1/4" L; effective pinning length 10.5"
<b>Weight</b>	5.5 lb

The Superbar's thin profile allows it to fit between the belts of most stackers. Its flexible mounting arrangement allows for easy height adjustment as well. One set of Pinner Superbars easily outperforms installations using multiple bars.

## Dimensions



Pinner Superbar

## Mounting Bracket

The Mounting Bracket saves time and hassle to source materials and build a mounting structure. A second Optional Mounting Bracket is available making things even simpler.

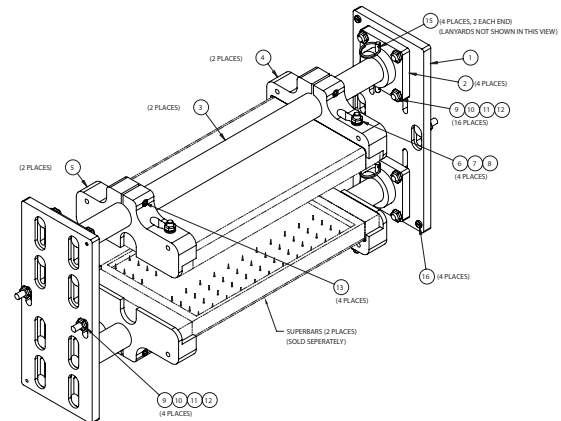
The easy installation adds a number of additional benefits to the Pinner Superbar.

- Allows access to Superbar for easy cleaning and maintenance
- A safe insulative mounting structure prevents operator shocks or arcing conditions
- Enhances performance and helps extend bar life



Mounting Bracket

## Optional Mounting Bracket



**SIMCO ION**<sup>TM</sup>  
An ITW Company

P/N 5201027 Rev A  
© 2014 Simco-Ion – All rights reserved.  
Specifications are subject to change without notice.

**Simco-Ion**

2257 North Penn Road  
Hatfield, PA 19440-1998

Tel: 800.203.3419 (in USA)  
Tel: 215.822.6401

customerservice@simco-ion.com  
www.simco-ion.com