



## Pinner LP

### ARC RESISTANT CHARGING BAR

The Pinner-LP bar is part of Simco-Ion's Chargemaster Electrostatic Generating System. With its low profile design, the Pinner-LP is the smallest in the series making it easier to fit in tight spaces. A large variety of lengths are available allowing for the perfect fit. The Pinner-LP is engineered to provide stunning pinning performance for multiple applications, especially in roll-to-roll changeover.

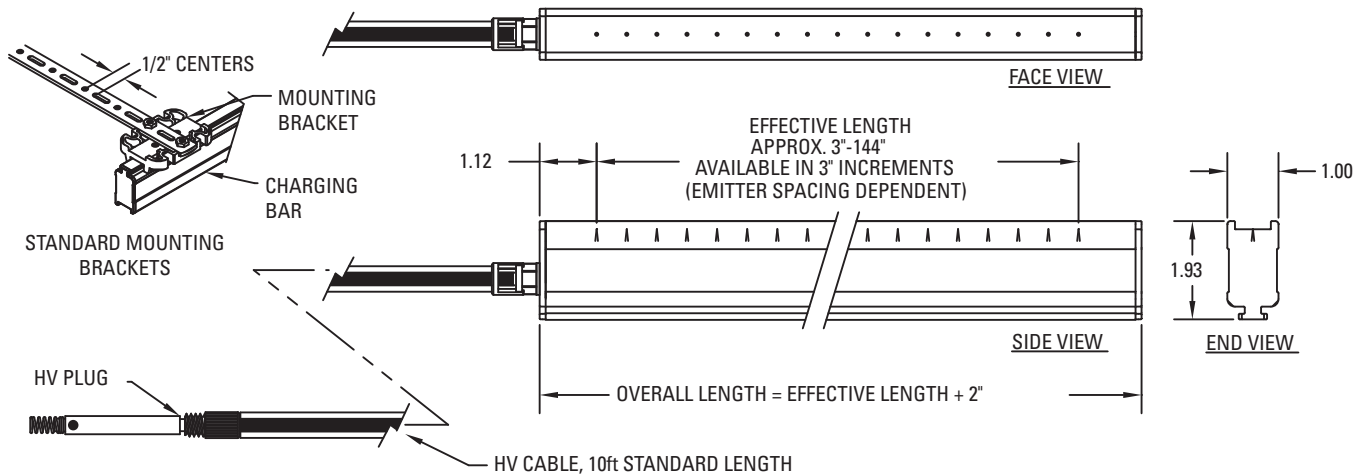
- Low profile design
- Fully encapsulated quality construction
- Current-limited for operator safety and reduced EMI/RFI
- Long life emitter pins
- Designed for rugged Industrial use

## Specifications

<b>Input Voltage</b>	±30 kVDC max
<b>Output Current</b>	Continuous Use: 0.75 mA/ft max Intermittent Use: 1.50 mA/ft max
<b>Operating Env.</b>	32°F (0°C) to 200°F (90°C); 70% RH max, no dewing permissible
<b>Operating Distance</b>	1/2" to 3" (application & voltage dependent)
<b>Weight</b>	1.4 lb per foot
<b>Dimensions</b>	1" W x 1.9" H x (EL + 2") L EL = Effective Length 3" to 144" in 3" increments
<b>Enclosure</b>	Glass filled polyester (rugged, impact resistant, light grey color)
<b>High Voltage Cable</b>	Flexible, abrasion-resistant, silicone outer jacket rated to ±50 kV, 10-ft standard length (1/2" min bend radius)

The current-limited Pinner-LP bars are engineered to regulate the amount of electrical current that is drawn from the power supply. This advancement prevents hard arcs from occurring which eliminates damage to materials and equipment. It also provides more uniform performance across the bar. The Pinner-LP is equipped with an HV rated input cable for greater longevity, and flexible, protective tubing adds to the safety of this bar.

This bar features a rugged style of mounting bracket built for durability.



## Charging

The Pinner-LP charging bars are compatible with both Simco-Ion's Chargemaster VCM, as well as the MCM 30. Both charging generators offer remote operation capability and are programmable for either voltage or current control mode to supply high voltage.



### Chargemaster VCM

- Output: 30 kV at 5mA
- Microprocessor-based fully programmable
- 4 HV output ports

### MCM 30

- Output: 30 kV at 1 mA
- Ultra-compact and lightweight
- 1 HV output port



**SIMCO ION**<sup>TM</sup>  
An ITW Company

P/N 5201231 Rev A  
© 2014 Simco-Ion - All rights reserved.  
Specifications are subject to change without notice.

### Simco-Ion

2257 North Penn Road  
Hatfield, PA 19440-1998  
Tel: 800.203.3419 (in USA)  
Tel: 215.822.6401

customerservice@simco-ion.com  
www.simco-ion.com