

MET ONE R4803/R4805

Remote Airborne Particle Counter

Features

- Long Life Laser™ technology for superior performance
- Sensor resistant to vaporous hydrogen peroxide (VHP)
- 0.3 µm (R4803) or 0.5 µm (R4805) at 0.1 CFM
- 2 size channels
- RS-485 serial communications

Applications

- Cleanroom monitoring
- Inert gas sampling
- Mini-environment monitoring

Small, reliable sensor that simplifies real time, online environmental monitoring

MET ONE R4803 and R4805 uses standard RS-485 serial communications, allowing instrument-to-instrument wiring up to 4000 feet (1220 meters). The particle counters will respond to simple ASCII command instructions including commands to START count, STOP count, REPORT count, send location number, etc. The information reported includes the status of the counters along with the particle counts in two size ranges.

A user-programmed alarm level can be set for high counts on the first channel. When high counts trigger an alarm, the LED on the counter flashes and an alarm signal is set at the connector. The alarm will automatically reset at the start of the next count cycle.

The stainless steel enclosure is compatible with most process environments. There is no fan to disturb airflows, allowing the MET ONE R4803 and R4805 counters to be placed close to sensitive process areas.

Good sensitivity with repeatable, low maintenance performance make the MET ONE R4803 and R4805 solid choices for particle monitoring in your facility. Couple this performance with continuous monitoring features of the Ultra Vision Online or Particle Vision® Online Software to provide full-time monitoring.

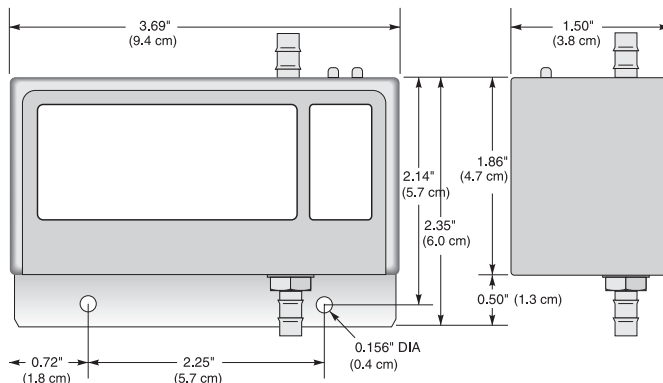


Connecting remote particle counters to your computer system has never been easier than with the MET ONE R4803 and R4805 miniature particle counters. These counters can be mounted at many locations around the cleanroom by simply providing a vacuum source, DC power and a communication line. Breakthrough Long Life Laser technology extends the average service life of the instrumentation's laser to more than ten years for either model.

Specifications

Minimum Threshold Setting	4803	0.3 μm
	4805	0.5 μm
Flow Rate	0.1 CFM (2.83 LPM)	
Flow Control	Critical orifice; requires 18" Hg vacuum, minimum 450 mbar	
Size Channels (μm)	Ch 1/Ch 2	0.3, 0.5 (R4803)
	Ch 1/Ch 2	0.5, 5.0 (R4805)
Light Source	Laser diode (10-year MTTF)	
Coincidence Loss	5% at 2,000,000 particles/ft ³	
Inlet Pressure	Ambient to 0.1" Hg vacuum	
Indicators	Power LED illuminates when counter is powered; Calibration/Alarms LED illuminates when sensor calibration needs checking and flashes when the count exceeds the alarm level.	
Power	6 VDC (\pm 10%) at < 125 mA	
Alarm Output	Open collector FET maximum sink current (on) 150 mA; Maximum VC voltage (off) 30 VDC	
Connector	DB-15 (female)	
Weight	0.3 kg (10.7 oz)	
Tubing Connections	Inlet, 0.1 CFM, 1/8" I.D. Inlet, 1.0 CFM, 1/4" I.D. Outlet, All (vacuum), 1/4" I.D.	
Environment	Operating	12 to 41°C (55 to 105°F) 20 to 95% relative humidity, non-condensing
	Storage	-40 to 70°C (-40 to 160°F) up to 98% relative humidity, non-condensing
Accessories Included	Isoprobe; DB-15 Connector; Operator's Manual	
When ordering, specify	0.3 μm (R4803) or 0.5 μm (R4805)	
Optional Accessories	Switching Power Supply Power Adapter Ultra Vision Online Software Particle Vision Online Software	

Beckman Coulter Life Sciences
250 S Kraemer Blvd
Brea, CA 92821 USA
Telephone: 800-866-7889
E-mail: insidesalesgp@beckman.com
www.particle.com



Lit. No. 5239

G9 Printed in USA

©Beckman Coulter, 2013. All rights reserved.

In the interest of improving and updating its equipment, Beckman Coulter reserves the right to alter specifications to equipment at any time.



Life Sciences