

Band Size	Circumference	
	Min.	Max.
Small	5.5" (140mm)	9" (229mm)
Medium	6" (152mm)	11" (279mm)
Large	7" (178mm)	12" (305mm)

Item	Band Size	Coil Cord
2225	Small	Not Included
2226	Medium	Not Included
2227	Large	Not Included
2228	Small	6' (2234)
2229	Medium	6' (2234)
2230	Large	6' (2234)
2231	Small	12' (2235)
2232	Medium	12' (2235)
2233	Large	12' (2235)

- A. .002" polyphenylsulfone sheet laminated to each link. Provides >5,000 Volt RMS insulation per ASTM D149. Will not flake or peel.
- B. Unique dual contact design is to be paired with a [SCS MagSnap™ 360 Coil Cord](#) (not included) for a superior electrical connection. The magnetic connection made with the coil cord maintains a 1-5 pound perpendicular breakaway force to prevent accidental disconnects.
- C. Black ABS plastic cap. Molded with "MagSnap 360" trademark.
- D. Underwriters Laboratory Listing 90P1C.
- E. Inside links are constructed of 300 Series Stainless Steel. Width of links is 0.63".
- F. Black ABS plastic insulator separates band into halves.

Meets required limits of ANSI/ESD S20.20 and requirements of ANSI/ESD S1.1.

U.S. Patent Pending

Unless otherwise noted, tolerance ±10%

Specifications and procedures subject to change without notice.

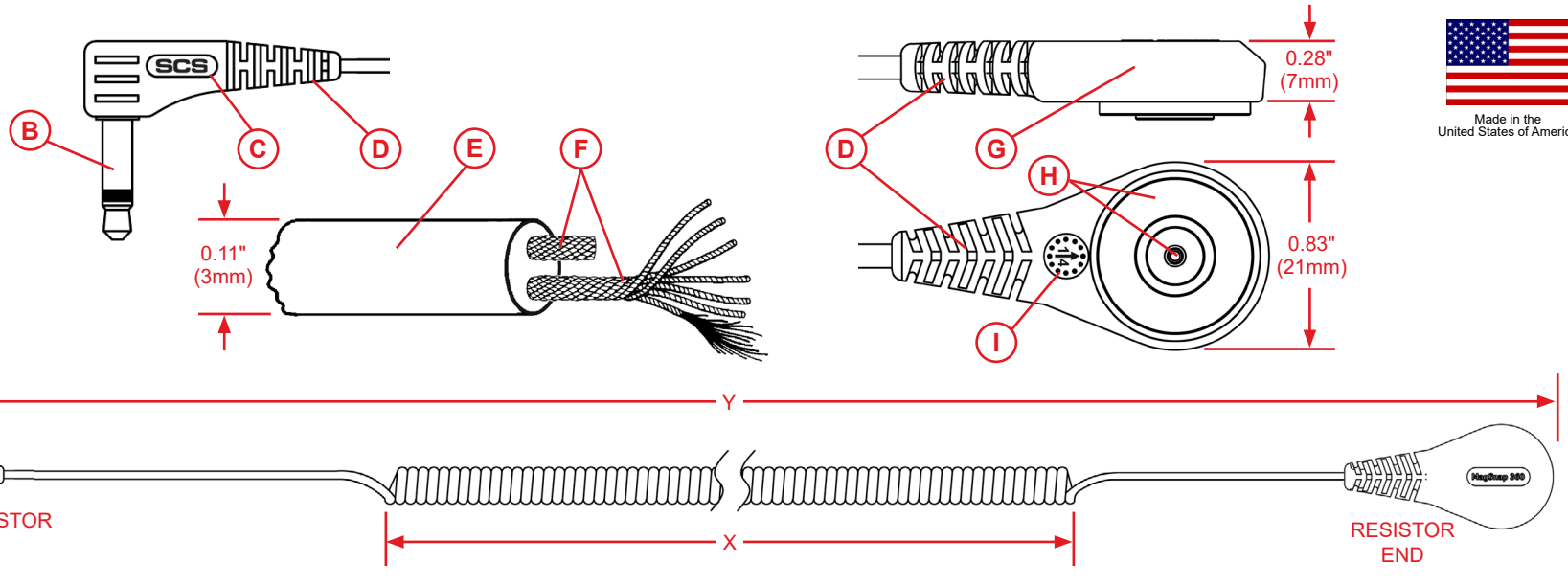
MAGSNAP 360™ DUAL-WIRE METAL EXPANSION WRISTBAND

926 JR Industrial Drive, Sanford, NC 27332
 WEB SITE: StaticControl.com
 PHONE (919) 718-0000

DRAWING NUMBER
2225

DATE
August
2015





- A. Underwriters Laboratory Listing 90P1C.
 - B. Compatible with [SCS Dual-Wire Workstation Monitors](#) and other brands that accept a 3.5 mm phono plug.
 - C. SCS logo molded in compliance with ANSI/ESD S1.1.
 - D. Thermoplastic elastomer strain relief molded on.
 - E. Relaxed retraction coil cord reduces tug on wearer's wrist. Black PVC insulation. Break load average 30 pounds.
 - F. Dual T-3067 tinsel conductor. Consists of stranded polyester wrapped in copper. Equivalent to 29 gauge (cir mil and/or ohms).
 - G. 1 megohm ($\pm 5\%$) current limiting resistors on both conductors.
 - H. Unique dual contact design is to be paired with an [SCS MagSnap 360™ Wristband](#) (not included) for a superior electrical connection. The magnetic connection made with the wristband maintains a 1-5 pound perpendicular breakaway force to prevent accidental disconnects. Spring loaded center contact rated to 1 million cycles.
 - I. Date coded with date of manufacture in compliance with ANSI/ESD S1.1.
- Meets required limits of ANSI/ESD S20.20 and requirements of ANSI/ESD S1.1.

Item	Mono Plug Tip Diameter	Retracted Length		Extended Length	
		X	Y	Nominal	Max
2234	0.116"	12"	20"	6'	8.5'
2235	0.116"	24"	32"	12'	17'
2236	0.116"	30"	38"	20'	22'

Unless otherwise noted, tolerance $\pm 10\%$

Specifications and procedures subject to change without notice.
U.S. Patent Pending

MAGSNAP 360™ DUAL-WIRE COIL CORD

SCS

920 J R INDUSTRIAL DRIVE, SANFORD, NC 27332
EAST: (919) 718-0000 | WEST: (909) 627-9634
WEBSITE: StaticControl.com

DRAWING NUMBER

2234

DATE

September 2017

SCS